

premium eb classic

vent-free fireplace burner inserts

ignisproducts.com

A stylized, light blue flame graphic is positioned on the right side of the image, extending from the bottom towards the top. It consists of several curved, overlapping shapes that suggest the movement and heat of fire.

#rethinkfire

premium. indoor. outdoor.

Sleek. Elegant. Contemporary. A collection curated for those with ambitious desires, the Ignis® EB Series of Ventless Ethanol Fireplace Inserts is as dependable as they are versatile. A range of appliances that beautifully integrate into the bespoke interior and exterior fireplace designs in residential or commercial settings.

Crafted with high-grade 304 brushed stainless steel and manufactured with double-wall construction, this assemblage of burners allows for flexibility to harmonize in a plethora of environments while withstanding the test of time. The linear design, standout performance, and eye-catching vent-free flames make this collection ideal for those wishing to make a fiery statement – whether one-sided, see-through, C-shaped, or completely naked and exposed.

Offered in varying sizes from twelve to sixty-two inches in length, the Ignis® EB Series was conceived to suit a wide array of private and public custom fireplace designs allowing for unparalleled personalization. Employing simplistic drop-in installation and prudent spillproof technology that is supported by an industry-revolutionizing three-year warranty, Ignis® EB Fireplace Inserts have been specified by trade professionals and do-it-yourself renovators since 2011, with renowned clients such as the National Football League (NFL). Manual ignition and extinction functions translate into an uncomplicated operation and liberate its owner from costly servicing and upkeep.

ignisproducts.com • +1 855 MY IGNIS



QUALITY IS NOT
AN ACT. IT IS A
HABIT. AND
HABITS ARE
HARD FOR US TO
BREAK.



table of content.

Range Overview

pages 2-8

Fuel

pages 29-30

Contact

page 31

Product Overview

eb1200 pages 10-11
eb1400 pages 12-13
eb2400 pages 14-15
eb3600 pages 16-17
eb4800 pages 18-19
eb6200 pages 20-21

Drawings

eb1200 page 23
eb1400 page 24
eb2400 page 25
eb3600 page 26
eb4800 page 27
eb6200 page 28



Since 2011.



classic eb. the datum:

Type:	Burner Insert
Installation:	Drop-In
Surround:	Non-Combustible
Material:	Grades 304 & 310S Stainless
Construction:	Dual Wall • Spill Proof
Application:	Indoor/Outdoor • All Environs
Ignition/Adjustment/Extinction:	Manual
Warranty:	Three Years

classic eb. the models:

eb1200



All our history begins with this piece.

A vent-free ethanol burning fireplace insert that has been conceived for smaller custom fireplace designs, to include fire tables, the Ignis® EB1200 drop-in burner plays a compelling part in the range. The most nominal insert in size still forms an inspiring show of fire highlighting your personalized design with its linear flame.

The Ignis® Design Team has incorporated this ethanol burner insert into eight prefabricated recessed, six wall mounted and seven freestanding fireplaces. Each design featuring a singular or multiple EB1200 burners within the unique forms – showing off this insert’s versatility.

The Ignis® EB1200 Ethanol Fireplace Burner Insert is rectangular in shape, boasts spill proof technology and double-layer stainless steel for safety and a sliding baffle for flame adjustment. A user-friendly appliance, it is received with a damper wand for control or extinguish the flame in a fluid motion from a safe distance.

This burner is compatible with decorative media such as pebbles, ceramic logs, or fire glass. Should you care to personalize your fireplace with accessories, it is advised not to place the media directly over the flame. It is also important to note that the sliding baffle should be free from obstructions.

EB1200 is offered with a fireplace grate kit for an instant solution to fireplace conversions. This added accessory is made of steel and cradles the burner insert, concealing the majority of its stainless for a more traditional aesthetic.



Overall Dimensions

Burner Width: 11.75"
Burner Depth: 5"
Burner Height: 3.25"
Burner Weight: 4.5 pounds

Performance

Flame Length: 7.125"
Fuel Capacity: 1.5 Liters
Approximate Burn Time: 5 - 9 Hours
Approximate Heat Output: 6,000 BTU



Minimums

Install Area: 1,200 ft³
Fuel Introduction: 1 liter

Clearances

Front: 1.5"
Back: 2"
Sides: 2"
Overhead: 30"
Nearest Combustible Radius: 24"

Cutouts

Length: 10.5"
Width: 4.125"
Depth: 3.25"

PHYSICAL MODEL DIMENSIONS SHOULD BE VERIFIED AGAINST CUT OUT DIMENSIONS BEFORE INSTALLATION BEGINS TO CONFIRM TOLERANCES ALIGN.

Must be installed into non-combustible material.

eb1400



True greatness consists in being great in **little things.**

Yes. You may have it all. Even if you're in a smaller space. Ignis® has brought the EB1400 Ethanol Fireplace Insert to market just for you! Crafted especially for apartment, condo and smaller home dwellers, this ventless burner allows you to realize the magnificent fireplace design you've always wanted – free of venting restraints and impossible installation requirements.

Produced with premium grade 304 brushed stainless steel, this linear fireplace burner treats its onlookers to a vibrant, clean burning fireside encounter. An extended depth accommodates a larger fuel capacity, so refills become more infrequent – a feature especially convenient for entertainers. Employing spill proof technology and a double-wall construction that's synonymous with Ignis® manufacturing, those in its surround are safer as spark meets vapor and the show of warmth and beauty begins.

With safety at the fore, the design principle followed with flexibility. EB1400 boasts a sliding baffle for flame adjustment – underlining its ability to control warmth, ambience and cost on demand.

A persistent piece, this burner also offers an optional fireplace grate conversion for those with a non-functioning hearth that they'd like to revive. Any old fireplace can get a makeover and work again!



Overall Dimensions

Burner Width: 13.1"
Burner Depth: 7.25"
Burner Height: 3.25"
Burner Weight: 9 pounds

Performance

Flame Length: 7.125"
Fuel Capacity: 3 Liters
Approximate Burn Time: 9-15 Hours
Approximate Heat Output: 6,000 BTU



Minimums

Install Area: 1,400 ft³
Fuel Introduction: 1 liter

Clearances

Front: 1.5"
Back: 2"
Sides: 2"
Overhead: 30"
Nearest Combustible Radius: 24"

Cutouts

Length: 12.50"
Width: 6.5"
Depth: 3.25"

PHYSICAL MODEL DIMENSIONS SHOULD BE VERIFIED AGAINST CUT OUT DIMENSIONS BEFORE INSTALLATION BEGINS TO CONFIRM TOLERANCES ALIGN.

Must be installed into non-combustible material.

eb2400



Beautiful ideas turn into beautiful fireside moments.

With an ardent commitment to quality, the EB2400 Ethanol Fireplace Insert was conceived. Ignis® understands that the first interaction with your fireplace is visual. It's a connection that springs from a beautiful idea and translates into a beautiful moment. It's your moment and our business.

When you unpack your Ignis® insert upon delivery, its precision of manufacture and refinement will be evident in the clean lines of the high-grade 304 brushed stainless steel. As you peer inside, you will get a peek of integrated ceramic material that assists in ensuring the highest flame quality and spill proof competence. Double wall construction that supports safety will be felt in its heft.

It is upon its first ignition, however, that you will truly appreciate its performance and value. With a fire ribbon that stretches over 18", the swaying flames will attract your gaze while its ambient warmth embraces you. It is at this time when the connection is made. Your beautiful idea becomes your beautiful moment.

For ease of installation, EB2400 is made with a lipped top plate. It is this lip that allows for its easy drop-in installation. This minimality is coupled with its ventless fire technology and freedom from attachments. The translation is the most cost effective and versatile fireplace solution available. Adding to this insert's versatility, fireplace media such as ceramic pebbles, logs or fire glass may be added for a cohesive look and this burner may now be ordered with a darkened finish. Additionally, a fireplace grate and zero-clearance firebox employing EB2400 are offered as options for fireplace conversions or bespoke cabinetry installation.

Overall Dimensions

Burner Width: 24"
Burner Depth: 8.5"
Burner Height: 4.5"
Burner Weight: 23 pounds

Performance

Flame Length: 18.6"
Fuel Capacity: 7 Liters
Approximate Burn Time: 11 Hours
Approximate Heat Output: 12,700 BTU



Minimums

Install Area: 2,540 ft³
Fuel Introduction: 3 liters

Clearances

Front: 1.5"
Back: 2"
Sides: 2"
Overhead: 30"
Nearest Combustible Radius: 24"

Cutouts

Length: 23.75"
Width: 8"
Depth: 4.5"

PHYSICAL MODEL DIMENSIONS SHOULD BE VERIFIED AGAINST CUT OUT DIMENSIONS BEFORE INSTALLATION BEGINS TO CONFIRM TOLERANCES ALIGN.

Must be installed into non-combustible material.

eb3600



Infinite possibilities for the **one you.**

A ventless fireplace solution befitting those designs that are created to impress, the Ignis® EB3600 Ethanol Fireplace Insert transcends your vision into one that will become reality. Without requiring a venting system, electricity, nor extensive fuel lines, this fireplace insert promises a superlative fireplace experience with installation, operation, and maintenance that are effortless.

Fashioned using grade 304 brushed stainless steel, EB3600 has been designed with the competency for integration into projects located indoors or outdoors – in both residential and commercial spaces. Produced with double wall structuring that collaborates with spill proof technology, this fireplace burner accomplishes a strong, durable makeup while putting safety at the fore.

Exhibiting a linear ribbon of fire that distends thirty-one inches in length, EB3600 presents an impressive visual impact and a chill-reducing 16,700 BTU of warmth. Its low-profile support lip is unobtrusive to the surrounding design elements and may be concealed with fireplace media including ceramic pebbles, logs or decorative fire glass at your discretion. A significant fuel capacity prescribes to a lengthy fireplace event without needing to refill.

A brand favorite since its inception and demanded by both trade professionals and do-it-yourselfers for innumerable project formats, EB3600 is now made available with a fireplace grate option for simplistic fireplace conversions and a darkened finish for those projects that don't agree with stainless. Increasing its adaptability, a patented zero-clearance firebox solution may now be ordered employing this Ignis® burner.



Overall Dimensions

Burner Width: 36.5"
Burner Depth: 8.5"
Burner Height: 4.5"
Burner Weight: 35.7 pounds

Performance

Flame Length: 31"
Fuel Capacity: 10 Liters
Approximate Burn Time: 12 Hours
Approximate Heat Output: 16,700 BTU

Minimums

Install Area: 3,340 ft³
Fuel Introduction: 4 liters

Clearances

Front: 1.5"
Back: 2"
Sides: 2"
Overhead: 30"
Nearest Combustible Radius: 24"

Cutouts

Length: 36"
Width: 8"
Depth: 4.5"

PHYSICAL MODEL DIMENSIONS SHOULD BE VERIFIED AGAINST CUT OUT DIMENSIONS BEFORE INSTALLATION BEGINS TO CONFIRM TOLERANCES ALIGN.

Must be installed into non-combustible material.



eb4800



Don't wait to celebrate a special moment. **Create one.**

A ventless fireplace insert, the Ignis® EB4800 is the ideal piece for all those whose passion is living, relaxing and entertaining. With the ability to adapt with your personal taste, this ethanol burner guarantees inspiring fireside moments and more joy in your home than ever before.

Made of premium grade 304 brushed stainless steel fabricated with structurally-competent double walls, its tangible quality will be noticed from afar – even before the Ignis® logo comes into your line of site assuring that it is genuine. Integrated into the burner, spill proof technology adds to the measures Ignis® takes to ensure your safety. This end-to-end quality is why EB4800 has been specified by professionals and do-it-yourself enthusiasts since its inclusion in the range.

Although safety measures and structural soundness lead the design principles of this fireplace insert, its performance is the metric that is most scrutinized. With a non-stop, linear fire ribbon of over three-and-a-half feet in length, a heating capacity of over 20, 000 BTU and the prominence of its display, you will witness all that the Ignis® marque embodies: The safe and perfect synergy between form and function. A synergy that may be incorporated into any indoor or outdoor bespoke fireplace design in both public and private settings.

Expanding its appeal, the Premium EB4800 Ethanol Fireplace Insert may now be requested with a darkened black finish through a complex electrodepositioning process. Further, it is also made available with a zero-clearance firebox for a more seamless wall integration or the design of custom furniture pieces.



Overall Dimensions

Burner Width: 48"
Burner Depth: 8.5"
Burner Height: 4.5"
Burner Weight: 46.2 pounds

Performance

Flame Length: 43.4"
Fuel Capacity: 15 Liters
Approximate Burn Time: 13 Hours
Approximate Heat Output: 23,000 BTU



Minimums

Install Area: 4,600 ft³
Fuel Introduction: 5 liters

Clearances

Front: 1.5"
Back: 2"
Sides: 2"
Overhead: 24"
Nearest Combustible Radius: 30"

Cutouts

Length: 48.375"
Width: 8"
Depth: 4.5"

PHYSICAL MODEL DIMENSIONS SHOULD BE VERIFIED AGAINST CUT OUT DIMENSIONS BEFORE INSTALLATION BEGINS TO CONFIRM TOLERANCES ALIGN.

Must be installed into non-combustible material.

eb6200



An articulate composition of **superlative standards.**

Perfectly suited to accommodate the discerning individual, the Ignis® EB6200 Ethanol Fireplace Insert reaches a new level of comfort and luxury. Created to revive face-to-face socialization while encouraging individuality - designed with social gatherings in mind while demanding a place to linger after everyone has left.

Made to meet and exceed your expectations, EB6200 is fabricated using superlative grade 304 brushed stainless steel. The metal offers a shade of color that underlines the quality of it and gives prominence to the vibrant flames that emerge from it. At the same time, this grey, albeit sober, exudes plenty of warmth. Double-walled and employing spill proof technology, this Ignis® fireplace insert is poised to be encased into numberless bespoke fireplace designs in the interior or exterior environs of both public and domestic spaces.

Reflecting your ambition, lifestyle and dreams, EB6200 bestows upon its onlookers a flame stretching 52" in length – the largest fire ribbon offered by the brand. A fire ribbon that is split over two flame openings, to be advantageous of surface area, adds tranquility, excitement, warmth and dynamism to any well-appointed space. Grand in scale, however, this fireplace insert is best suited for environments with generously proportioned spaces.

The preferred ventless fireplace insert of countless trade professionals, the Ignis® EB6200 is a versatile piece. The possibility of configurations – one-sided, two-sided, C-shaped or completely unabashed is infinite. Adding to the burner's flexibility, it is now made available in a darkened black hue and within a zero-clearance firebox surround. To add personalization of design, you may also elect to adorn its surround with fireplace media including ceramic pebbles, logs and fire glass.

Overall Dimensions

Burner Width: 62.25"
Burner Depth 7.6"
Burner Height: 4.6"
Burner Weight: 57 pounds

Performance

Flame Length: 52" (2 x 26")
Fuel Capacity: 18 Liters
Approximate Burn Time: 15 Hours
Approximate Heat Output: 24,000 BTU



Minimums

Install Area: 4,800 ft³
Fuel Introduction: 6 liters

Clearances

Front: 1.5"
Back: 2"
Sides: 2"
Overhead: 30"
Nearest Combustible Radius: 24"

Cutouts

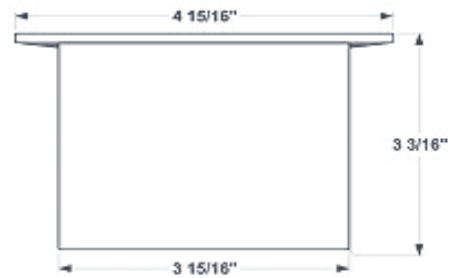
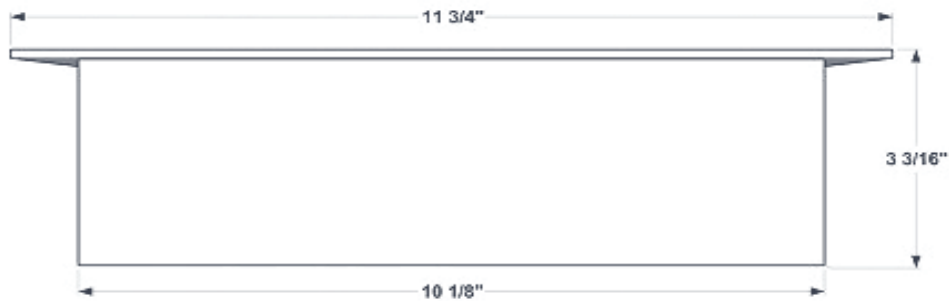
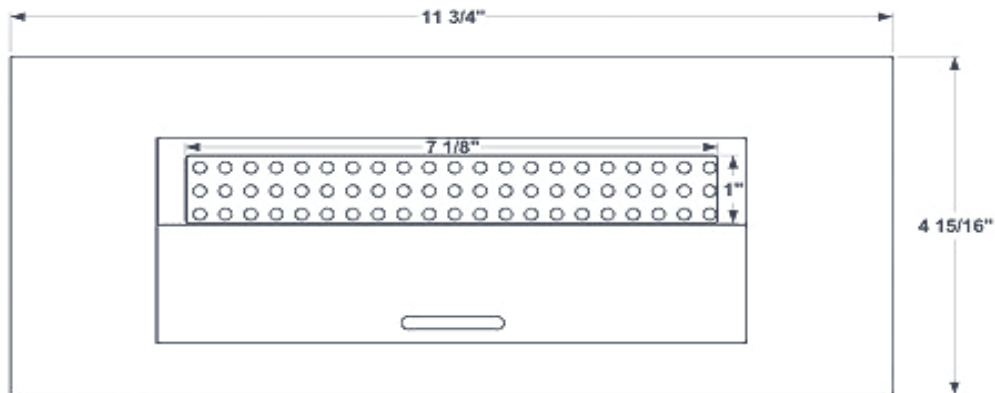
Length: 61.375"
Width: 6.75"
Depth: 4.125"

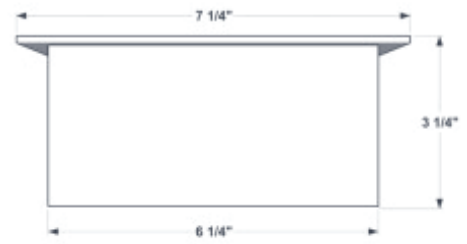
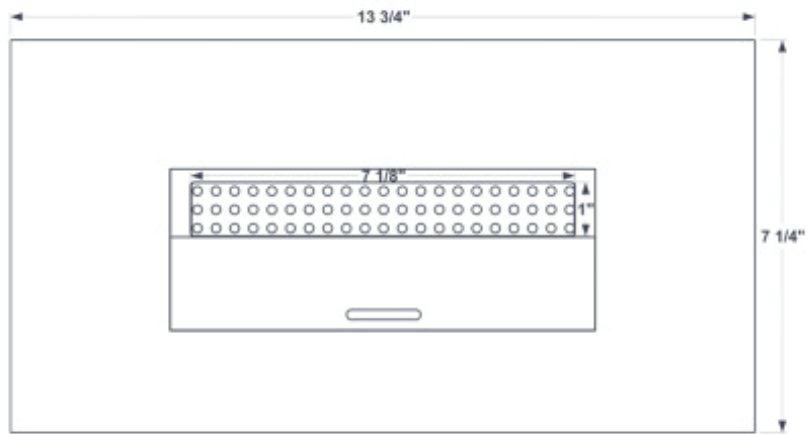


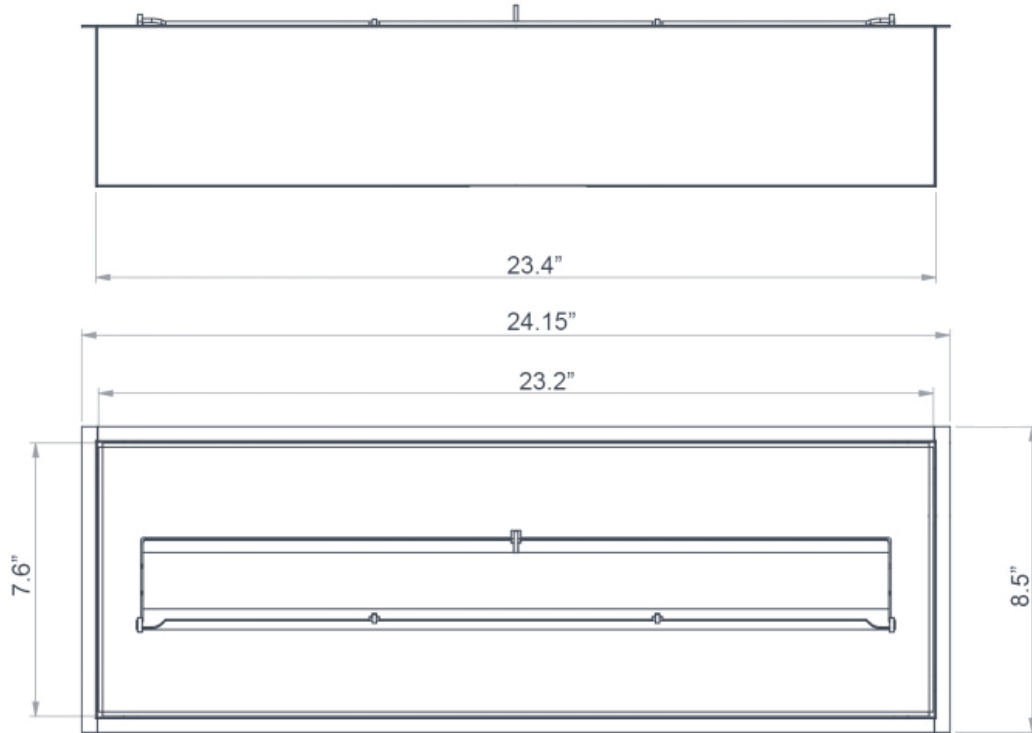
PHYSICAL MODEL DIMENSIONS SHOULD BE VERIFIED AGAINST CUT OUT DIMENSIONS BEFORE INSTALLATION BEGINS TO CONFIRM TOLERANCES ALIGN.

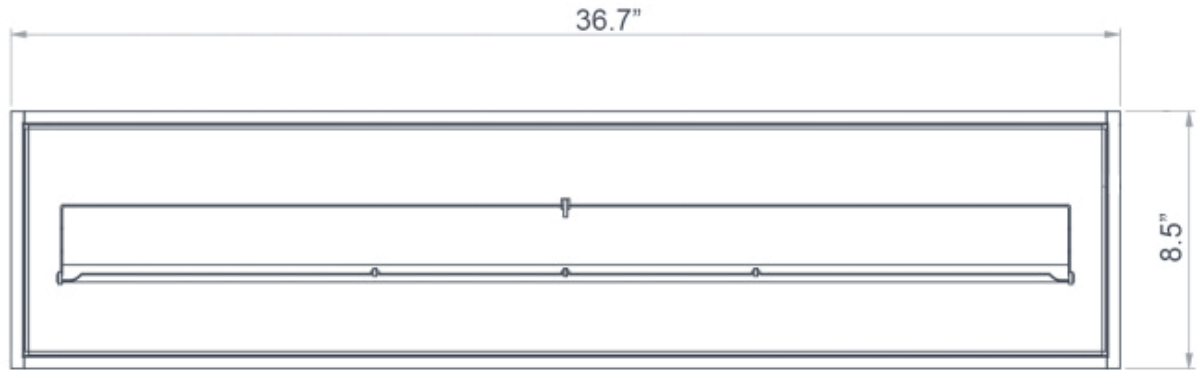
Must be installed into non-combustible material.

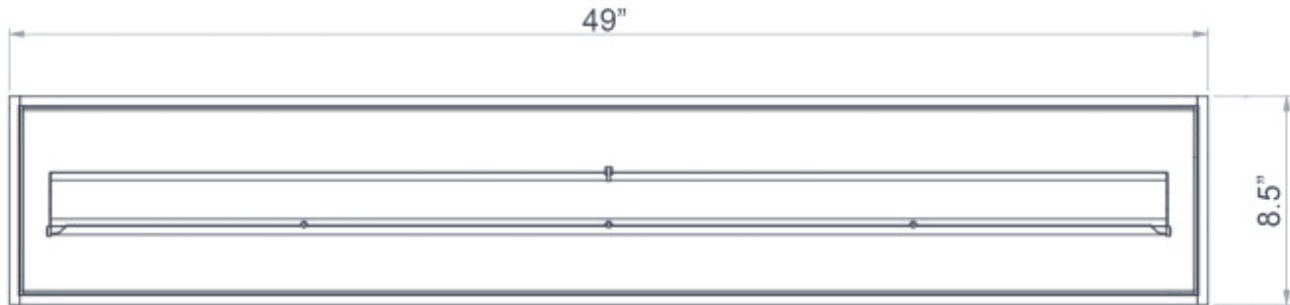
classic eb. the drawings:

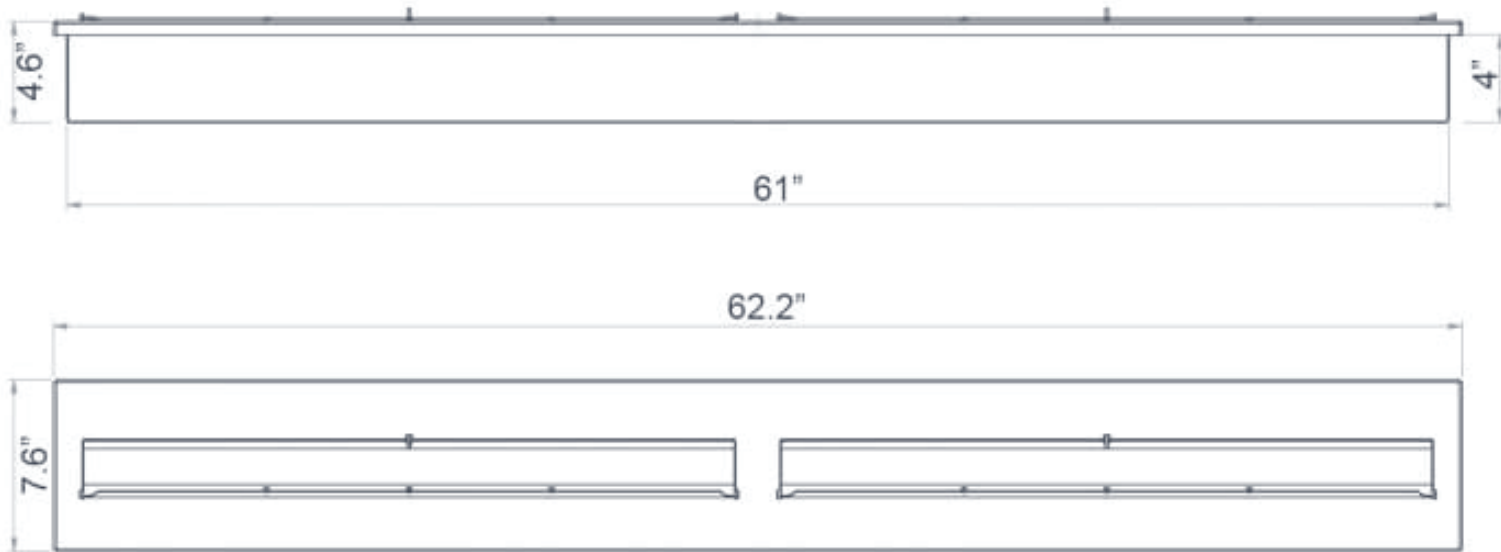












classic eb. the fuel:

IGNIS® ethanol fireplace fuel is among the cleanest and safest ventless fireplace fuel on the market today. When considering the purchase of an ethanol burning fireplace or fireplace insert, it is of the utmost importance to keep the safe use of your fireplace in the forefront of your mind. Safety is a core value at IGNIS®. In addition to safe fireplace technology, IGNIS® has brought to market a safe fuel packaged in a safety-conscious bottle.



say hello.

Awesome service is included.

IGNIS® Fireplace Experts are at your disposal Monday to Friday from 9:00 AM to 5:00 PM. We would love to hear about current or future projects. So, start a conversation with us soon!

Address: IGNIS® Development, Incorporated
409 Joyce Kilmer Avenue, Suite 5B
New Brunswick, New Jersey 08901
United States of America

Web: ignisproducts.com
Email: info@ignisproducts.com
Phone: +1 855 MY IGNIS

Facebook: [@ignisproducts](https://www.facebook.com/ignisproducts)
Instagram: [@ignisrethinkfire](https://www.instagram.com/ignisrethinkfire)
YouTube: [@ignisproducts](https://www.youtube.com/ignisproducts)
Pinterest: [@ignisrethinkfire](https://www.pinterest.com/ignisrethinkfire)
Houzz: [@ignisdevelopmentinc](https://www.houzz.com/ignisdevelopmentinc)



ignisproducts.com • +1 855 MY IGNIS